

TP/TA

General information,
64

Rail cross sections
66

Construction details
67

**TP door rails for centre hung
doors, pivot point 55/65 mm**
68

**TP door rails for centre hung
doors, pivot point 18 mm**
73

Rails for side panel
77

**TA door rails for offset hung
doors in toughened glass
assemblies**
79

**TA door rails for offset hung
doors in rebated frames, with
free glass edge left and right**
82

**TA door rails for pairs of offset
hung doors in rebated frames,
with free glass edge on hanging
side**
84

Top centre frame portion
88

Alternative and special inserts
89

Accessories
132



TP/TA – DOOR RAILS WHICH LEAVE NOTHING TO BE DESIRED

TP/TA door and side panel rail coordinate in design, dimensions and finishes with all DORMA patch fittings. This creates the opportunity to specify fittings for the assembly which provide maximum protection and effective sealing of the lower glass edges. The provision of door rails allows the installation of extremely heavy-duty and wide doors.

Tamper resistant, with integral locks

The robust base rails are screwed together from alternate sides of the door at 150 mm centres. This makes unauthorised removal of the rail virtually impossible.

All door rails are available with integral locks, prepared for profile cylinders and with security rosettes, or prepared for certain lever locks.

Special security- and quality characteristics

The particular feature of the locks with bottom or top locking bolt is a special corrosion and abrasion resistant bolt with integrated safety roll pin (hardened). By this the locks comply to DIN 18251, class 3 (according to type testing*) and the highest corrosion resistance according to EN 1670, class 4 is achieved.

Furthermore the lock was tested successfully by a neutral testing institute with 500,000 latch and 100,000 locking bolt operating cycles.

Easy door adjustment – especially whilst hanging

Because TP/TA rails are a screw/clamp system, they have a great advantage over other systems. The rail can be adjusted up and down, and also side to side, to compensate for irregularities in the door opening.

Also, the clip-on rail cover has advantages. Because the door can be hung and secured without it, the covers need not be fixed until the wet trades have finished and the cleaners have been through.

No glass preparation, firm fixing

DORMA-Glas has an intimate knowledge of the special properties of glass as a building material. This has led to the design of rails requiring no glass preparation – no holes, no cut-outs. Carefully considered and positive measures have been taken to create the maximum clamping surface with optimum clamping efficiency.

Two heights, length to order, to suit 10 mm or 8 mm and 12 mm glass thickness – further glass thicknesses and versions for bullet-proof glass on request

All TP/TA door rails are available in 100 mm (4") or 76.5 mm (3") heights, and in lengths to your order. They are supplied as standard for 10 mm glass thickness; but with replacement gasket they will suit 12 mm or 8 mm glass thicknesses. On request the door rails of 100 mm height can also be realised for 13.5/15/17/19 and 21 mm glass thicknesses (for toughened, laminated glass) and versions for bullet-proof glass 13.5 – 30 mm glass thicknesses.

Variable pivot point and absolute pinch free on door rails for centre hung doors TP

All the inserts for door rails in the TP/TA range have been designed and manufactured to give two options in the pivot point distance from the sidepanel or frame

It can be either 55 mm or 65 mm (distance from pivot point to door edge – 53 mm and 63 mm respectively). In order to change from the standard dimension of 65 mm to 55 mm, the standard insert is unscrewed from the patch, rotated through 180°, and refixed in position. At 65 mm pivot point and the use of a special round profile (page 19) doors can be built pinch free (constant air gap of 4 mm).

Reliability built in

Quality materials and thorough workmanship mean that TP/TA rails have the features necessary to meet the most demanding of specifications.

Short delivery times

All the common patterns and types are available ex-stock (factory). Specials will be prepared promptly.

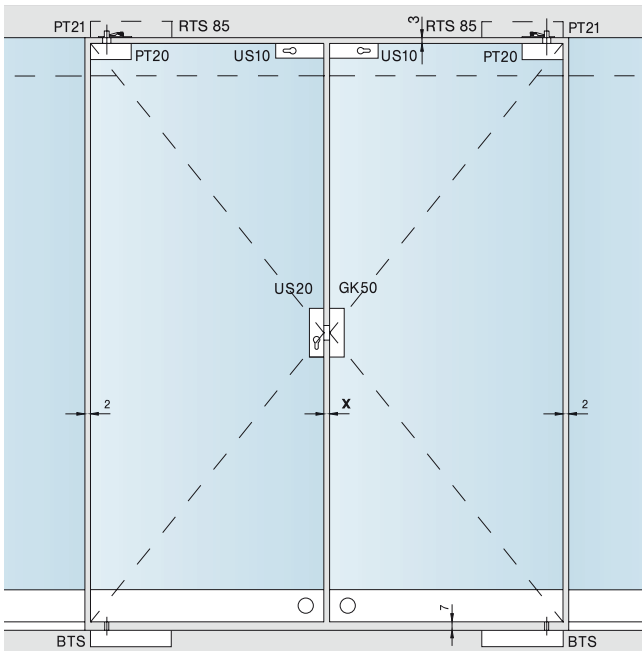
Finishes

Special coatings are required at extreme environment conditions (i.e. coastal areas).

*Extract from DIN 18251, class 3: type-test with 50,000 locking bolt operating cycles.



TECHNICAL SPECIFICATIONS



Glass size – height:

Rail height – 100 mm

Use of rail(s)	total door height less
bottom	75.0 mm
top	75.0 mm
bottom + top	150.0 mm

Rail height – 76.5 mm

Use of rail(s)	total door height less
bottom	56.5 mm
top	56.5 mm
bottom + top	113.0 mm

Gap required between pairs of doors:

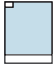

Centre hung doors X = 4 mm

Offset hung doors

Individual leaf width	X
over 1000 mm	4 mm
1000 – 600 mm	6 mm
600 – 400 mm	8 mm

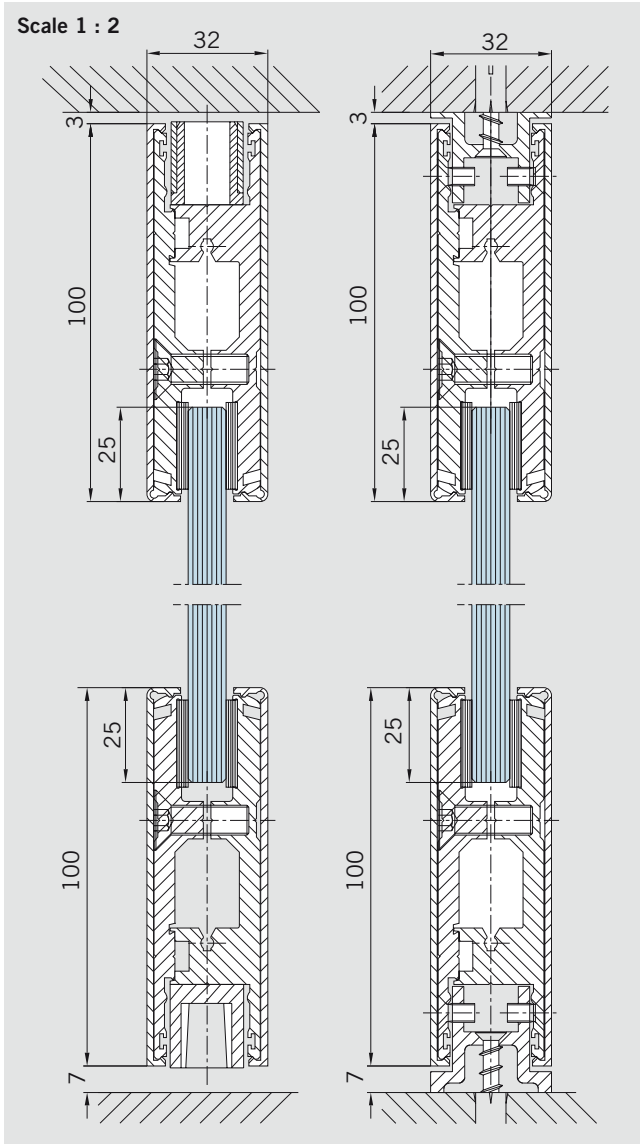
RTS = transom closer
(for details see Technical Information RS).

Maximum dimensions for use of bottom door rails in combination with top door rails or top patch fittings

	Panel type	Bottom door rail standard			Bottom door rail special type with bottom strap in forged steel			Comments
		weight kg	width mm	height mm	weight kg	width mm	height mm	
Door rails for centre hung doors, combined with ...	 							
... Patch fittings Universal	●	110	1200	3000	120	1200	3500	**pivot point 15/18 mm
... Patch fittings EP Universal pinch free**	●	100	1100	3000				***only for double action doors with door rail top and bottom
... Door rails standard	●	120	1200	3500	150*** (120*)	1400*** (1200*)	4000 (3500*)	
Door rails for offset hung doors in toughened glass assemblies, combined with...								34 mm door stap for toughened glass assemblies
... Patch fittings EA	●	100	1200	3000				
... Door rails standard	●	100	1200	3500				
Door rails for offset hung doors in rebated frames (24 mm/26 mm rebate depth), combined with ...								40 mm/42 mm door stap for 24 mm/26 mm rebate depth
... Patch fittings EA	●	90	1100	3000				
... Door rails standard	●	90	1100	3500				
Door rails for offset hung doors in rebated frames (27 mm–40 mm rebate depth), combined with ...								43 mm/58 mm door stap for 27 mm–40 mm rebate depth
... Patch fittings EA	●	80	1000	3000				
... Door rails standard	●	80	1000	3500				

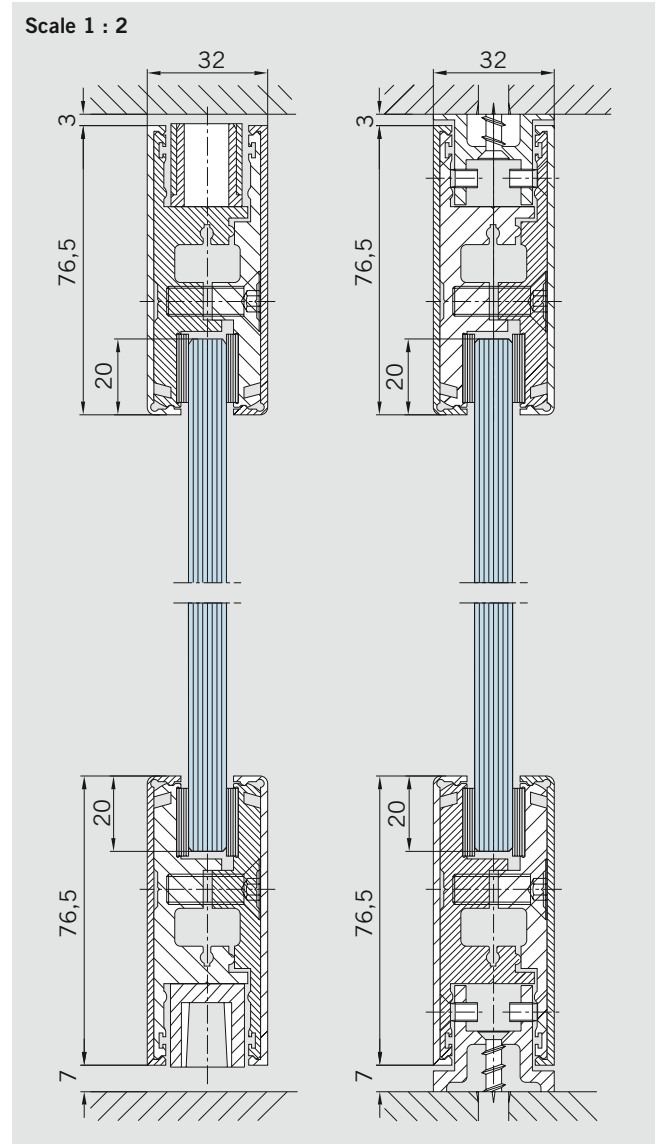
Torque for fixing screws: Screws M 8 : 20 Nm

RAIL CROSS SECTIONS



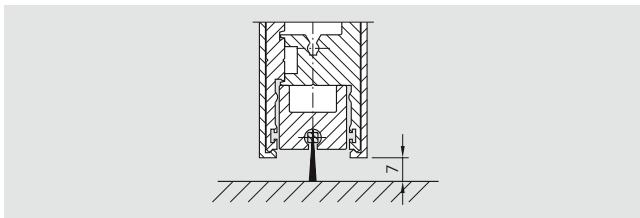
Door rails, 100 mm high

Side panel rails, 100 mm high



Door rails, 76.5 mm high

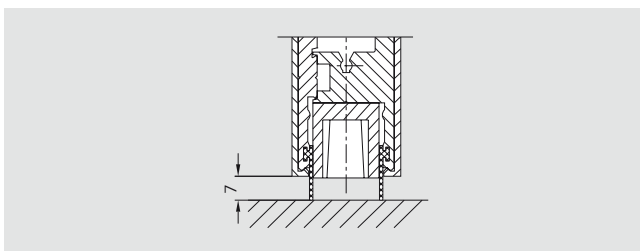
Side panel rails, 76.5 mm high



AGILE Aluminium profile brush seal to prevent draughts and energy loss (not in the area of inserts, locks, etc.), connected with door rail at manufacturer

Art. No. 04.600

Weight in kg/m: 0.753



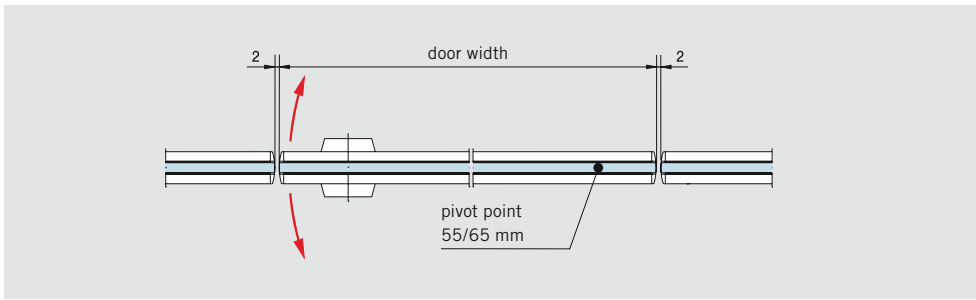
Rubber sealing for door rails (also in the area of inserts, locks, etc.)
fixed length
stock length 200 m (= 1 coil)

Art. No. 04.607

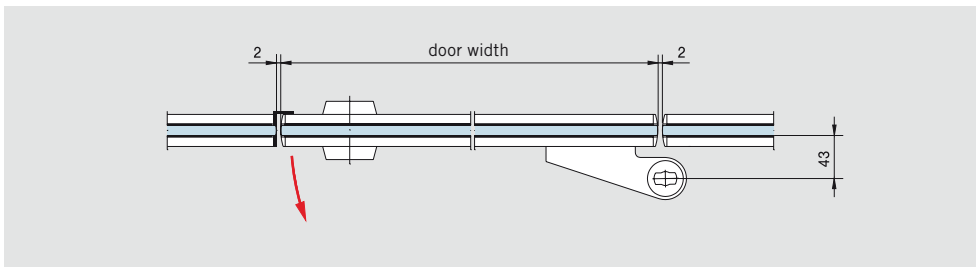
Art. No. 04.608

Weight in kg/m: 0.099

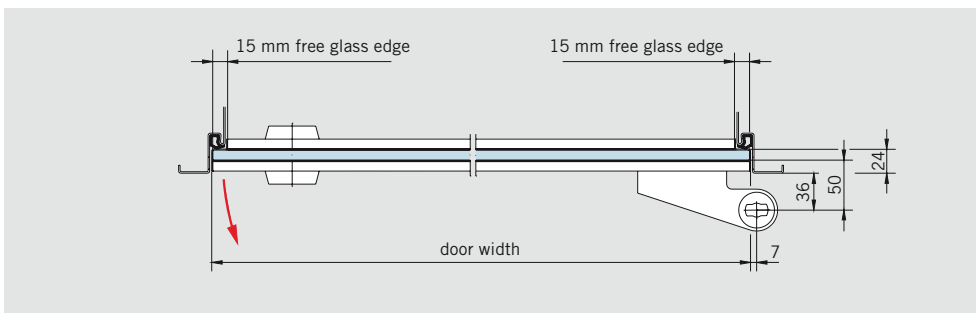
CONSTRUCTION DETAILS



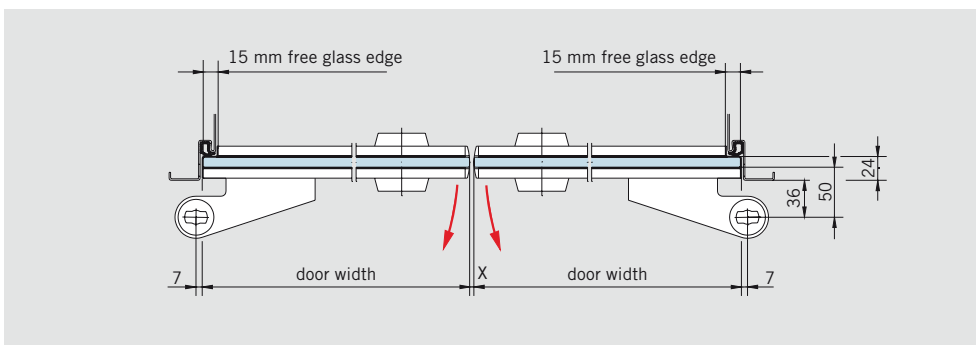
Centre hung doors



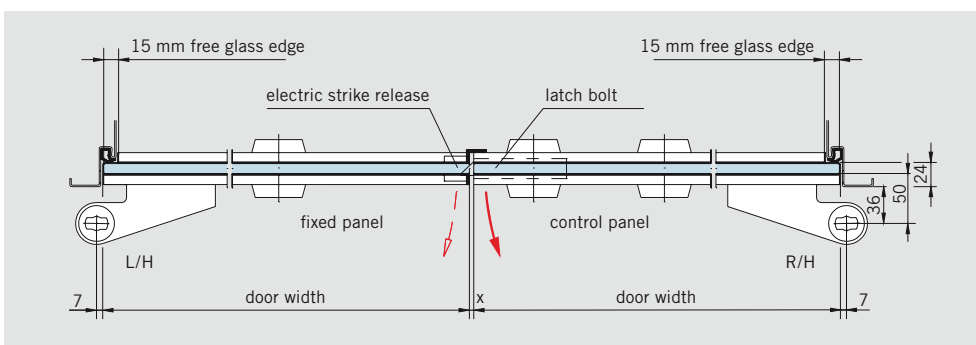
Offset hung door in toughened glass assembly



Offset hung door in rebated frame with 24 mm rebate depth



Pair of offset hung doors in rebated frame with 24 mm rebate depth

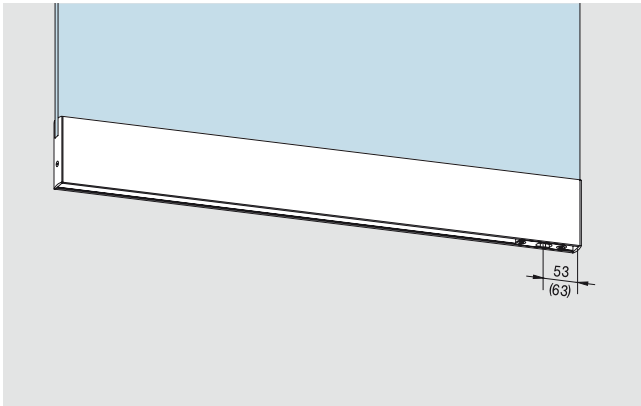


Pair of offset hung doors in rebated frame with 24 mm rebate depth (also available with inserts for centre hung doors), with electric strike release and latch bolt

DOOR RAILS FOR CENTRE HUNG DOORS

Pivot point 55/65 mm

Complete, for 10 mm glass thickness



Bottom rail

with stainless steel insert to suit
DORMA floor spring spindle or
round pivot 14 mm Ø

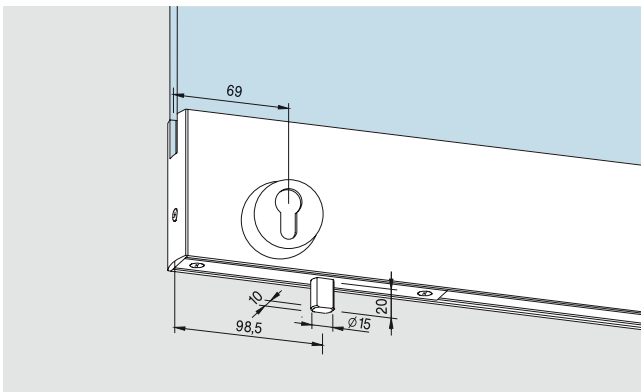
100 mm:

76.5 mm:

Art. No. 04.101

Art. No. 04.001

Weight in	100	76.5
kg/m	mm	mm
aluminium	5.131	4.029
stainl. steel	6.070	4.833



...with floor locking lock, pre-
pared for Europrofile cylinder,
single throw with corrosion
resistant bolt and hardened
safety roll pin

100 mm:

76.5 mm:

Art. No. 04.111

Art. No. 04.011

Weight in	100	76.5
kg/m	mm	mm
aluminium	5.466	4.364
stainl. steel	6.520	5.283

Not illustrated:

...with floor locking lock pre-
pared for KABA, single throw
with corrosion resistant bolt and
hardened safety roll pin

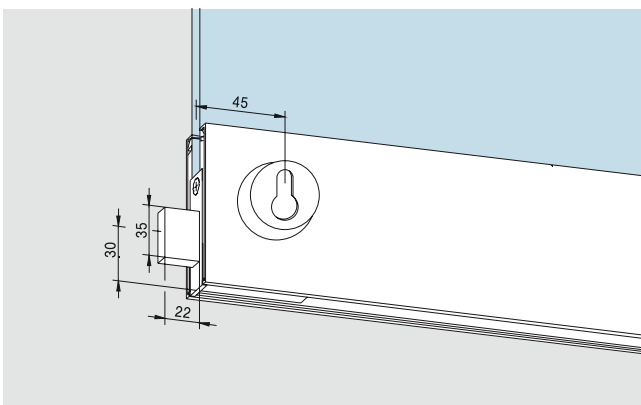
100 mm:

76.5 mm:

Art. No. 04.163

Art. No. 04.063

Weight in	100	76.5
kg/m	mm	mm
aluminium	5.466	4.364
stainl. steel	6.520	5.283

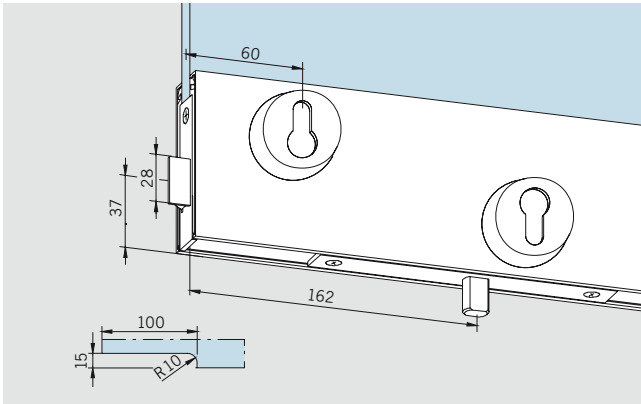


...with side locking lock, pre-
pared for Europrofile cylinder,
double throw

100 mm:

Art. No. 04.121

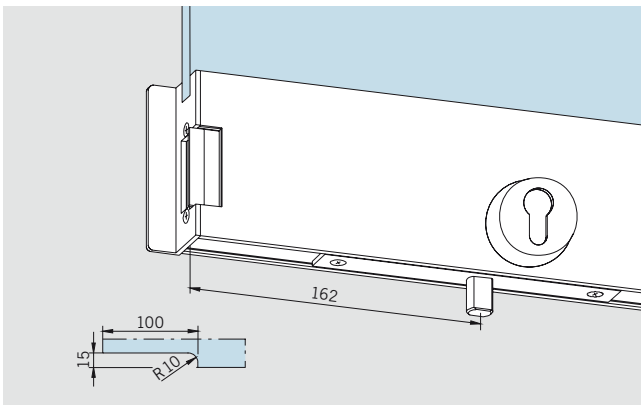
Weight in kg/m	100 mm
aluminium	5.364
stainl. steel	6.418



Bottom rail with latch lock at side for electric strike release and floor locking bolt lock, prepared for Europrofile cylinder, single throw with corrosion resistant bolt and hardened safety roll pin. The use of latch lock or electric strike release results from a single action door situation.

Art. No. *04.191 / 04.193

Weight in kg/m:
 aluminium 6.667
 stainless steel 8.335

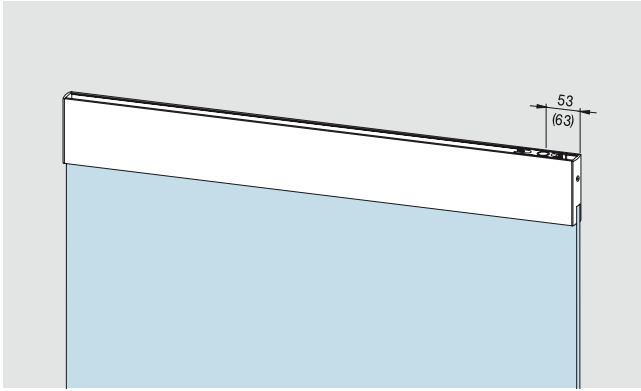


...with electric strike release at side (Standard: fail secure function, 6 to 12 V -/~-) and floor locking bolt lock, prepared for Europrofile cylinder, single throw with corrosion resistant bolt and hardened safety roll pin. The use of latch lock or electric strike release result from a single action door situation.

Art. No. *04.196 / 04.198

Weight in kg/m:
 aluminium 5.586
 stainless steel 6.640

* Left/right hand (illustration shows right hand) are determined by view from hanging side.



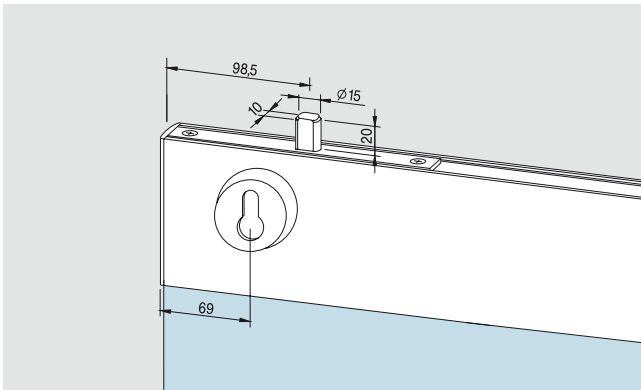
Top rail

with insert to take 15 mm Ø
pivot pin
100 mm:
76.5 mm

Art. No. 04.102

Art. No. 04.002

Weight in kg/m	100 mm	76.5 mm
aluminium	4.979	3.877
stainl. steel	5.918	4.681



...and top locking lock, prepared
for Europrofile cylinder, single
throw with corrosion resistant
bolt and hardened safety roll pin
100 mm:
76.5 mm

Art. No. 04.112

Art. No. 04.012

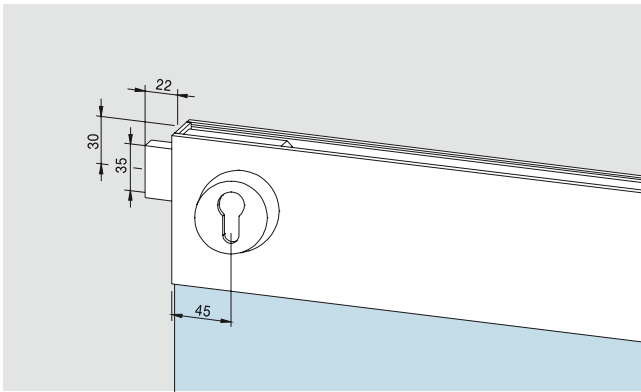
Weight in kg/m	100 mm	76.5 mm
aluminium	5.314	4.212
stainl. steel	6.368	5.131

Not illustrated:

...with top locking lock prepared
for KABA, single throw with
corrosion resistant bolt and
hardened safety roll pin
100 mm:
76.5 mm

100 mm **Art. No. 04.164**
76.5 mm **Art. No. 04.064**

Weight in kg/m	100 mm	76.5 mm
aluminium	5.314	4.212
stainl. steel	6.368	5.131



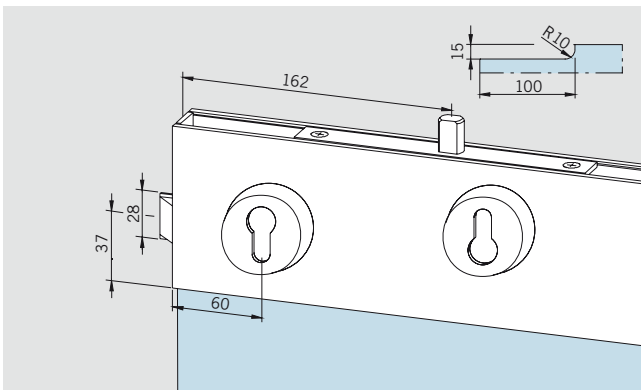
Top rail

with side locking lock, prepared for Europrofile cylinder, double throw

100 mm:

Art. No. 04.122

Weight in kg/m:	
aluminium	5.212
stainless steel	6.266

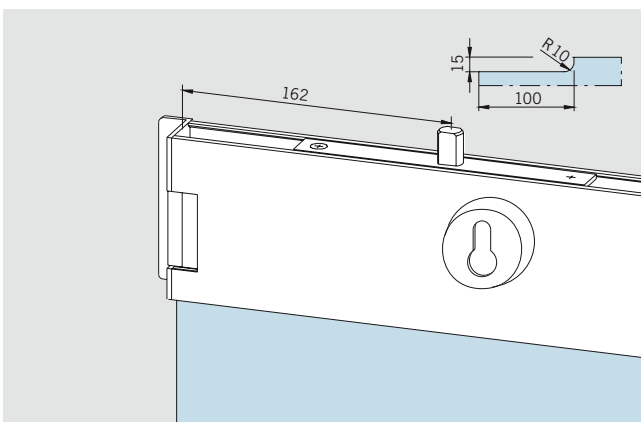


...with latch lock at side

for electric strike release and top locking bolt lock, prepared for Europrofile cylinder, single throw with corrosion resistant bolt and hardened safety roll pin. The use of latch lock or electric strike release results in a single action door situation.

Art. No. *04.192 / 04.194

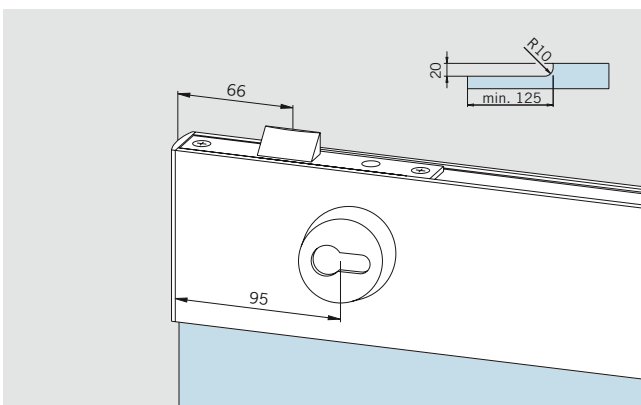
Weight in kg/m:	
aluminium	6.592
stainless steel	8.148



...with electric strike release at side (Standard: fail secure function, 6 to 12 V -/~-) and top locking bolt lock, prepared for Europrofile cylinder, single throw with corrosion resistant bolt and hardened safety roll pin. The use of latch lock or electric strike release results in a single action door situation.

Art. No. **04.197 / 04.199

Weight in kg/m:	
aluminium	6.492
stainless steel	8.048



...with latch lock, locking to ceiling, prepared for Europrofile cylinder, single throw (necessary stop on site). The use of latch lock or electric strike release (on site) results in a single action door situation.

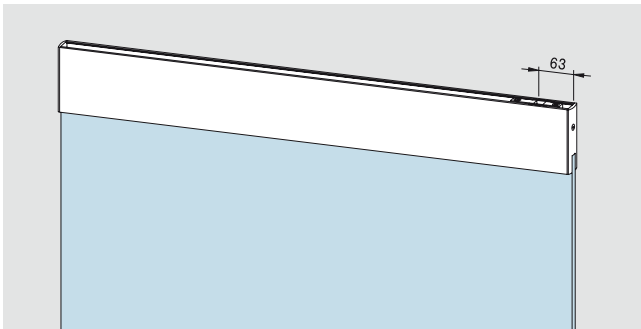
100 mm:

Art. No. 04.118

Weight in kg/m:	
aluminium	5.294
stainless steel	6.348

* Left / right hand (illustration shows left hand) are determined by view from hanging side.

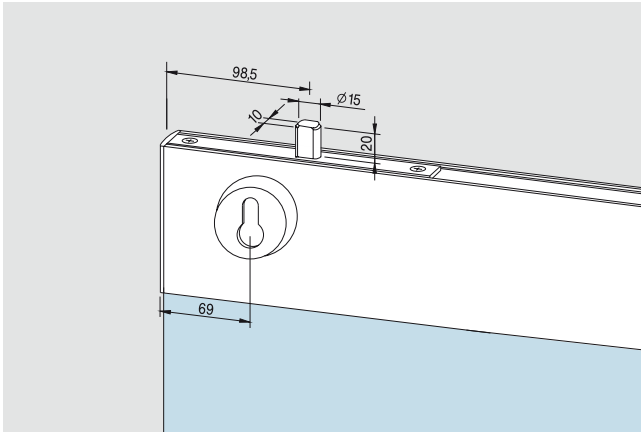
** Left / right hand (illustration shows right hand) are determined by view from hanging side.



Top rail
with insert for DORMA RTS
transom closer
100 mm:
76.5 mm:

Art. No. 04.106
Art. No. 04.006

Weight in kg/m	100 mm	76.5 mm
aluminium	5.145	4.043
stainl. steel	6.207	4.847



...and top locking lock, prepared
for Europrofile cylinder, single
throw with corrosion resistant
bolt and hardened safety roll pin
100 mm:
76.5 mm:

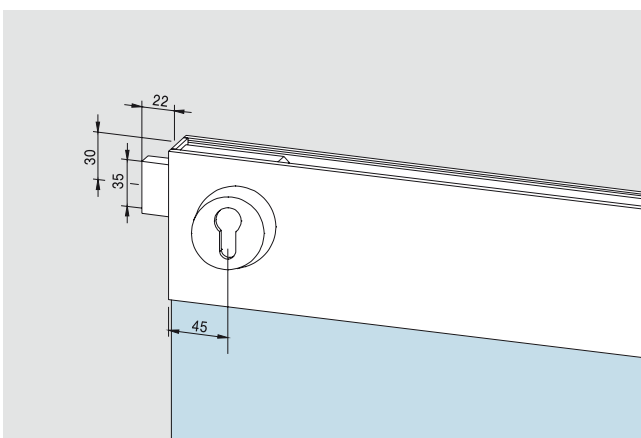
Art. No. 04.116
Art. No. 04.016

Weight in kg/m	100 mm	76.5 mm
aluminium	5.480	4.378
stainl. steel	6.657	5.297

Not illustrated:
...with top locking lock prepared
for KABA, single throw with
corrosion resistant bolt and
hardened safety roll pin
100 mm:
76.5 mm:

Art. No. 04.167
Art. No. 04.067

Weight in kg/m	100 mm	76.5 mm
aluminium	5.480	5.145
stainl. steel	6.655	6.207



...and side locking lock,
prepared for Europrofile
cylinder, double throw
100 mm:

Art. No. 04.126

Weight in kg/m:	
aluminium	5.378
stainless steel	6.555

Not illustrated:
Gasket

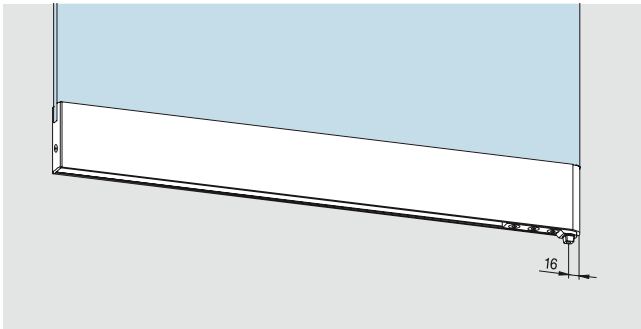
Art. No. 01.900
to suit 8 mm glass thickness
(1 m = 1 pc.)

Art. No. 01.901
to suit 12 mm glass thickness
(1 m = 1 pc.)

DOOR RAILS FOR CENTRE HUNG DOORS

Pivot point 18 mm

Complete, for 10 mm glass thickness

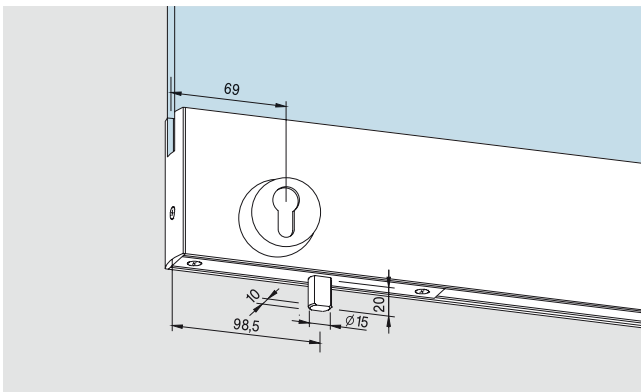


Bottom rail
with **DORMA floor spring**
spindle insert

100 mm:
76.5 mm:

Art. No. 04.103
Art. No. 04.003

Weight in kg/m	100 mm	76.5 mm
aluminium	5.218	4.126
stainl. steel	6.193	4.824



...with floor locking lock,
prepared for Europrofile cylinder,
single throw with corrosion
resistant bolt and hardened
safety roll pin

100 mm:
76.5 mm:

Art. No. 04.113
Art. No. 04.013

Weight in kg/m	100 mm	76.5 mm
aluminium	5.553	4.461
stainl. steel	6.643	5.274

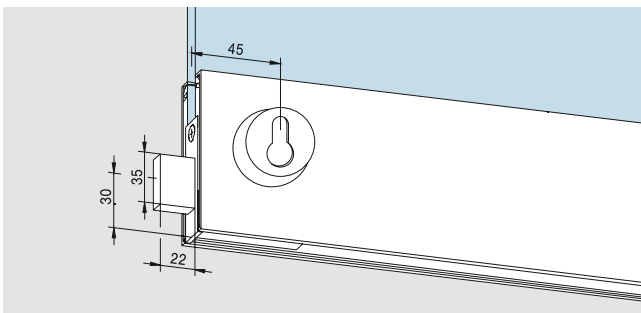
Not illustrated:

...with floor locking lock prepared
for KABA, single throw (not illus-
trated) with corrosion resistant
bolt and hardened safety roll pin

100 mm:
76.5 mm:

Art. No. 04.165
Art. No. 04.065

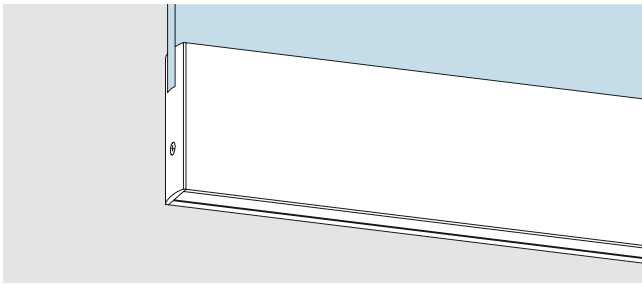
Weight in kg/m	100 mm	76.5 mm
aluminium	5.553	5.228
stainl. steel	6.664	6.280



... with side locking lock,
prepared for Europrofile
cylinder, double throw
100 mm:

Art. No. 04.123

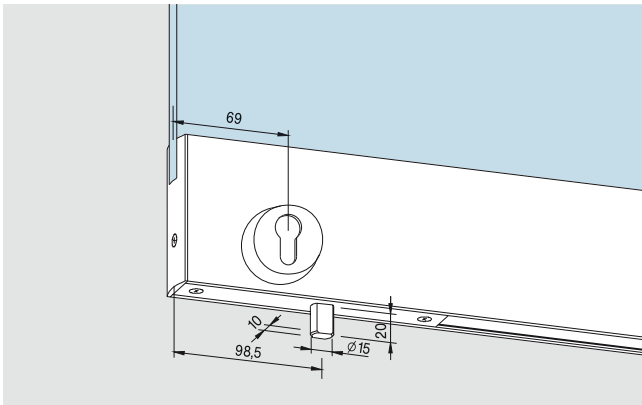
Weight in kg/m:	
aluminium	5.451
stainless steel	6.541



...prepared for floor bearing
100 mm:
76.5 mm:

Art. No. 04.107
Art. No. 04.007

Weight in kg/m	100 mm	76.5 mm
aluminium	4.938	3.898
stainl. steel	5.975	4.606



Bottom rail with floor locking lock, prepared for Europrofile cylinder, single throw with corrosion resistant bolt and hardened safety roll pin, prepared for floor bearing
100 mm:
76.5 mm:

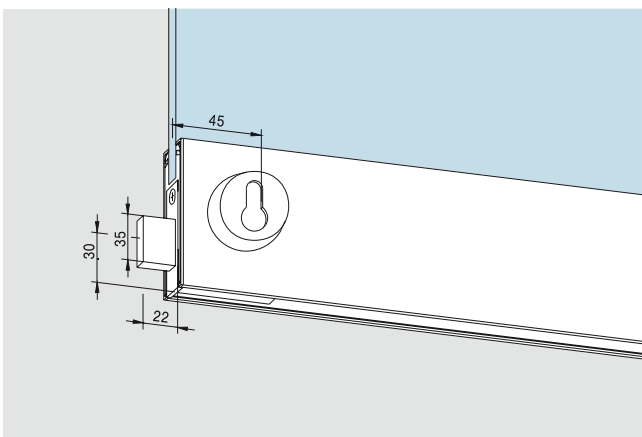
Art. No. 04.117
Art. No. 04.017

Weight in kg/m	100 mm	76.5 mm
aluminium	5.334	4.243
stainl. steel	6.425	5.056

Not illustrated:
...with floor locking lock prepared for KABA, single throw with corrosion resistant bolt and hardened safety roll pin, **prepared for floor bearing**
100 mm:
76.5 mm:

Art. No. 04.168
Art. No. 04.068

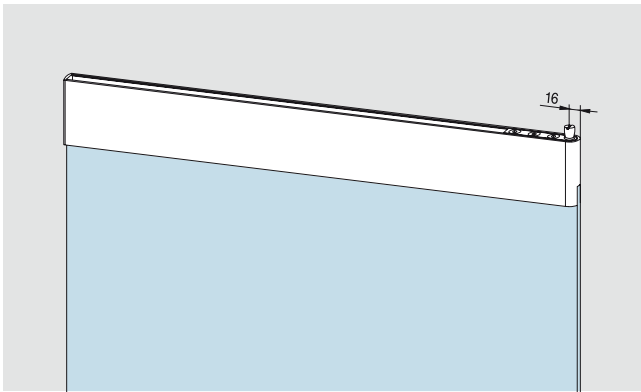
Weight in kg/m	100 mm	76.5 mm
aluminium	5.334	4.243
stainl. steel	6.425	5.056



...with side locking lock, prepared for Europrofile cylinder, double throw, **prepared for floor bearing**
100 mm:

Art. No. 04.127

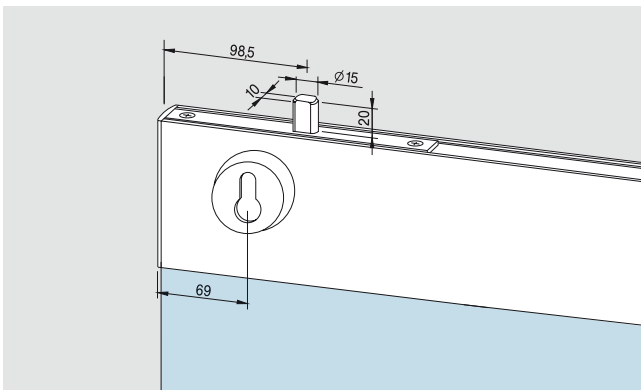
Weight in kg/m:	
aluminium	5.233
stainless steel	6.323



Top rail
with 15 mm Ø pivot pin
100 mm:
76.5 mm:

Art. No. 04.104
Art. No. 04.004

Weight in kg/m	100 mm	76.5 mm
aluminium	5.000	3.908
stainl. steel	5.975	4.606



...and top locking lock, prepared for Europrofile cylinder, single throw with corrosion resistant bolt and hardened safety roll pin
100 mm:
76.5 mm:

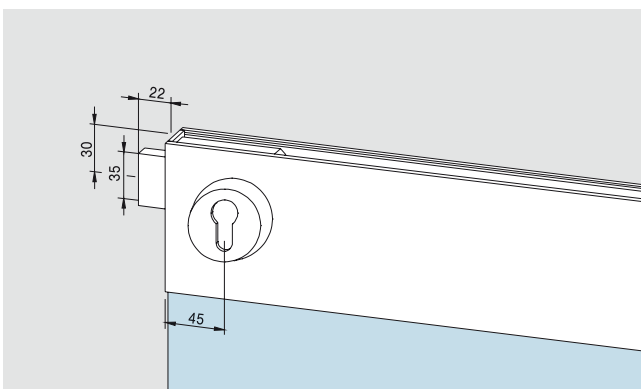
Art. No. 04.114
Art. No. 04.014

Weight in kg/m	100 mm	76.5 mm
aluminium	5.335	4.243
stainl. steel	6.425	5.056

Not illustrated:
...with top locking lock prepared for KABA, single throw with corrosion resistant bolt and hardened safety roll pin
100 mm:
76.5 mm:

Art. No. 04.166
Art. No. 04.066

Weight in kg/m	100 mm	76.5 mm
aluminium	5.335	4.243
stainl. steel	6.425	5.056



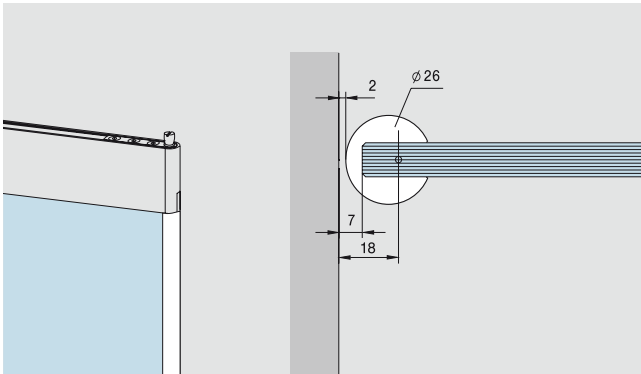
...with side locking lock, prepared for Europrofile cylinder, double throw
100 mm:

Art. No. 04.124

Weight in kg/m:	
aluminium	5.233
stainless steel	6.323

RADIUSED EDGING STRIP

Acryl, transparent, to clamp onto free glass edge. For optimal pinch protection. For application with door rails with 18 mm pivot point.



Radiused edging strip

Please indicate door height and type of fitting with order.

up to 4500 mm length
fixed length: 2250 mm

Art. No. 01.231

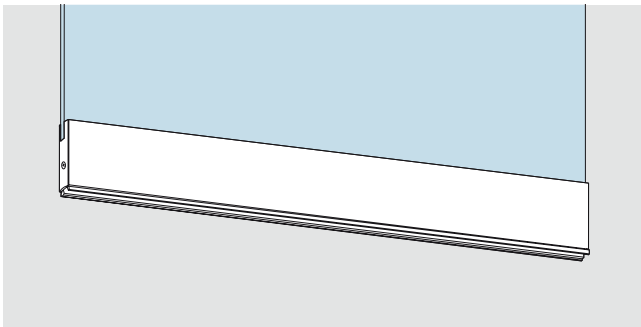
Art. No. 01.230

Notice:

When radiused edging strip is used the following glass measurement is valid:
door rail width – 5 mm.

RAILS FOR SIDE PANEL

complete, for 10 mm glass thickness

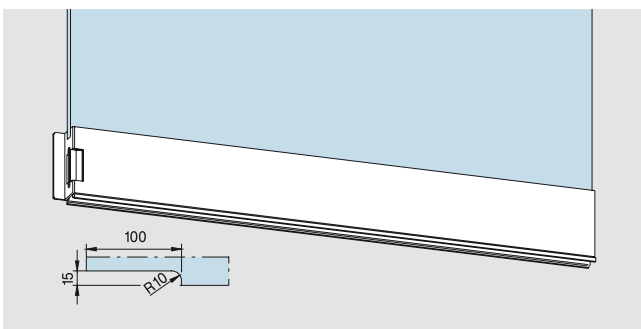


Bottom rail for side panel,
up to approx. 6000 mm long
with rail filler insert 7 mm
100 mm:
76.5 mm:

Art. No. 04.301

Art. No. 04.201

Weight in kg/m	100 mm	76.5 mm
aluminium	5.604	4.504
stainl. steel	6.494	5.273

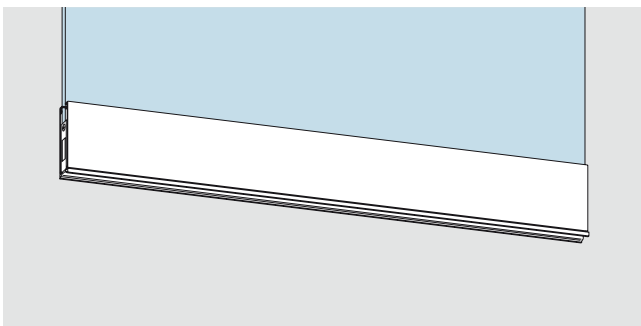


...with electric strike release
(standard: fail secure function,
6 to 12 V -/~), door width up
to 1200 mm (> 1200 mm on
request)
100 mm:

Art. No. *04.0311/04.313

Weight in kg/m:

aluminium	5.116
stainless steel	6.055

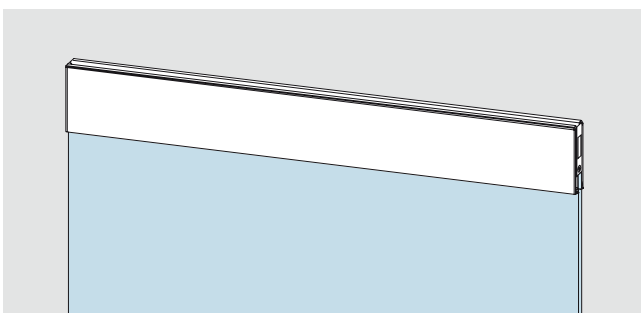


...with strike-box for side bolt
locking, door width up to
1200 mm (> 1200 mm on
request)
100 mm:

Art. No. 04.315

Weight in kg/m:

aluminium	4.979
stainless steel	5.918



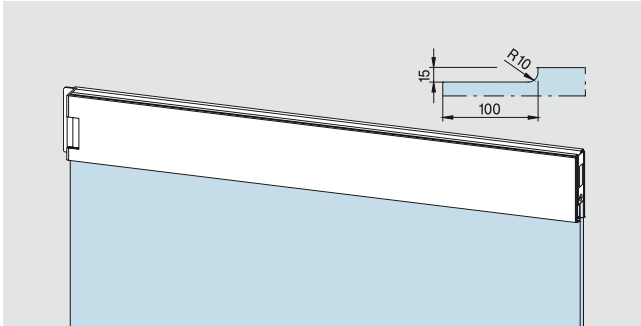
Top rail for side panel,
up to approx. 6000 mm long
with rail filler insert 3 mm
100 mm:
76.5 mm:

Art. No. 04.302

Art. No. 04.202

Weight in kg/m	100 mm	76.5 mm
aluminium	5.441	4.341
stainl. steel	6.331	5.110

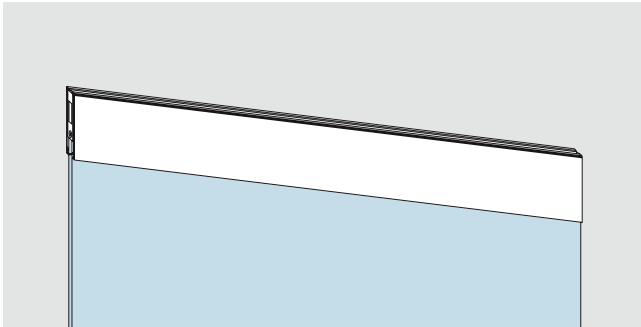
* Left / right hand (illustration shows right hand) are determined by view from hanging side.



...with electric strike release
 (standard: fail secure function,
 6 to 12 V -/~)
 100 mm:

Art. No. *04.312 / 04.314

Weight in kg/m:
 aluminium 5.578
 stainless steel 6.468



...with strike-box for side bolt
 locking
 100 mm:

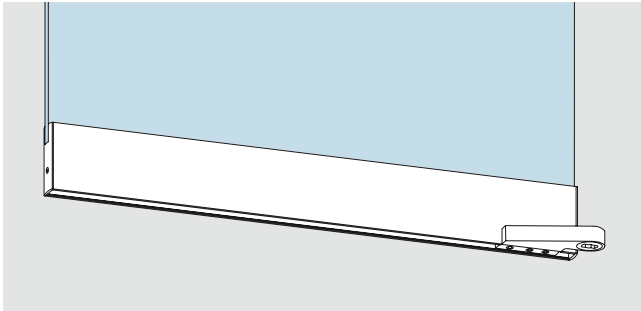
Art. No. 04.316

Weight in kg/m:
 aluminium 5.441
 stainless steel 6.331

* Left / right hand (illustration shows right hand) are determined by view from hanging side.

DOOR RAILS FOR OFFSET HUNG DOORS IN TOUGHENED GLASS ASSEMBLIES WITHOUT REBATED FRAMES

Complete, for 10 mm glass thickness, strap 34 mm, without free glass edges, pivot point to glass surface 43 mm

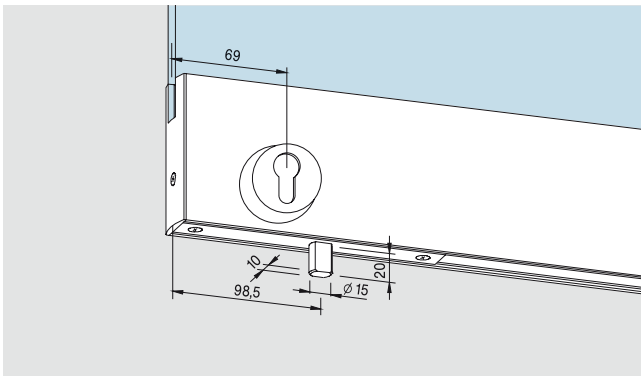


Bottom rail

100 mm:
76.5 mm:

Art. No. *04.131 / 04.133
Art. No. *04.031 / 04.033

Weight in kg/m	100 mm	76.5 mm
aluminium	5.359	4.257
stainl. steel	6.792	5.555

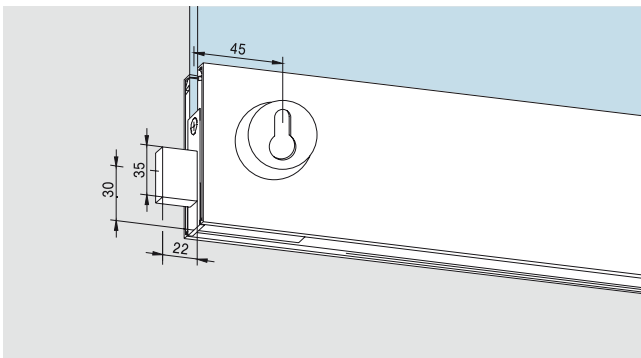


...with floor locking lock, prepared for Europrofile cylinder, single throw with corrosion resistant bolt and hardened safety roll pin

100 mm:
76.5 mm:

Art. No. *04.151 / 04.153
Art. No. *04.051 / 04.053

Weight in kg/m	100 mm	76.5 mm
aluminium	5.694	4.592
stainl. steel	7.242	6.005



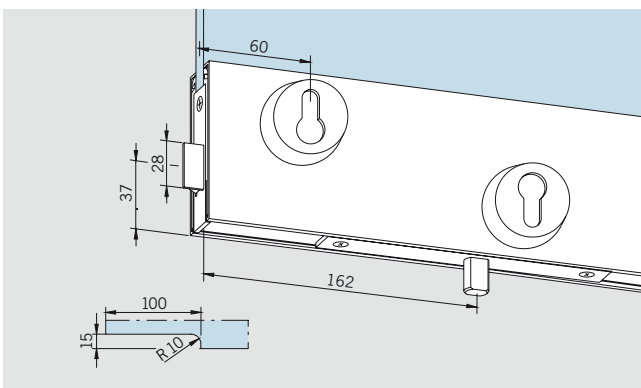
...with side locking lock, prepared for Europrofile cylinder, double throw

100 mm:

Art. No. *04.171 / 04.173

Weight in kg/m:

aluminium	5.592
stainless steel	7.140



...with floor locking lock, prepared for Europrofile cylinder, single throw with corrosion resistant bolt and hardened safety roll pin and latch bolt at side for electric strike release

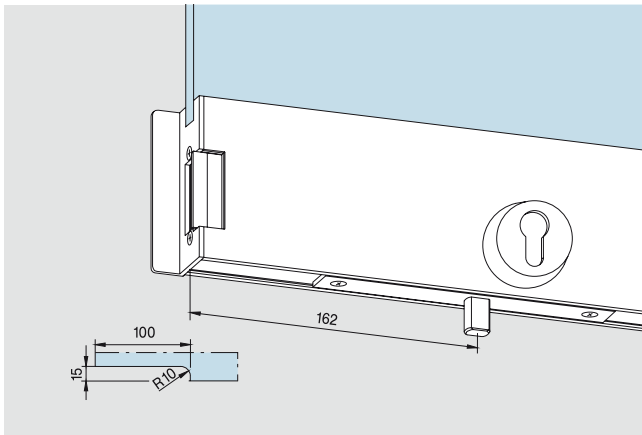
100 mm:

Art. No. *04.179 / 04.181

Weight in kg/m:

aluminium	6.890
stainless steel	8.563

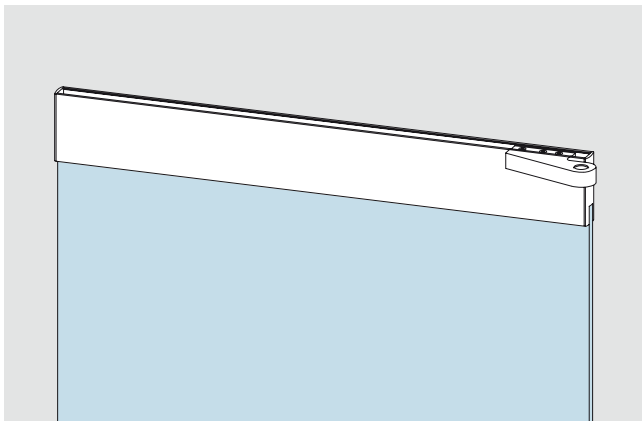
* Left / right hand (illustration shows right hand) are determined by view from hanging side.



Bottom rail with floor locking lock, prepared for Europrofile cylinder, single throw with corrosion resistant bolt and hardened safety roll pin and electric strike release at side (Standard: fail secure function, 6 to 12 V -/~) 100 mm:

Art. No. *04.183 / 04.185
(for Art. No. 4.181 / 04.179)

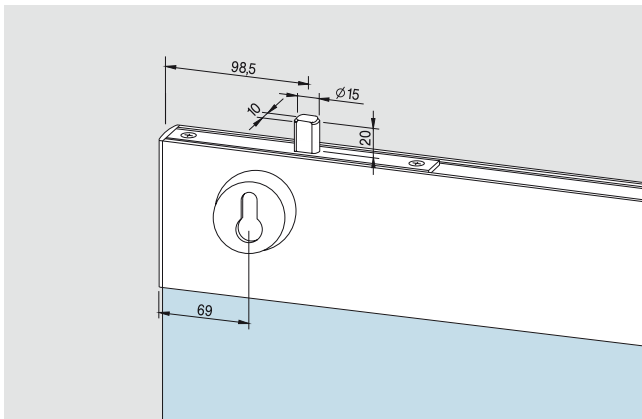
Weight in kg/m:
aluminium 5.837
stainless steel 7.385



Top rail
100 mm:
76.5 mm:

Art. No. *04.132 / 04.134
Art. No. *04.032 / 04.034

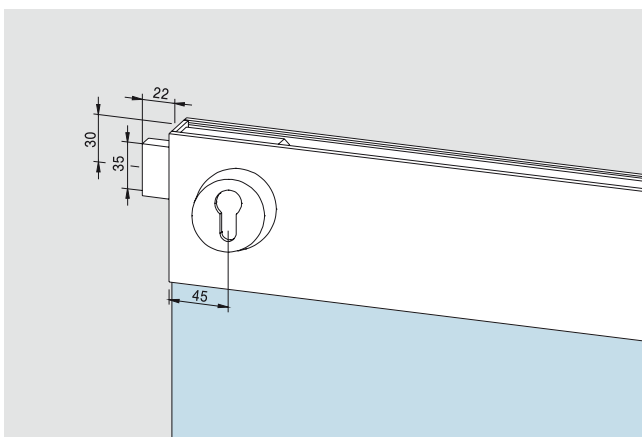
Weight in kg/m	100 mm	76.5 mm
aluminium	5.289	4.187
stainl. steel	6.759	5.522



...with top locking lock, prepared for Europrofile cylinder, single throw with corrosion resistant bolt and hardened safety roll pin 100 mm:
76.5 mm:

Art. No. *04.152 / 04.154
Art. No. *04.052 / 04.054

Weight in kg/m	100 mm	76.5 mm
aluminium	5.624	4.522
stainl. steel	7.209	5.972

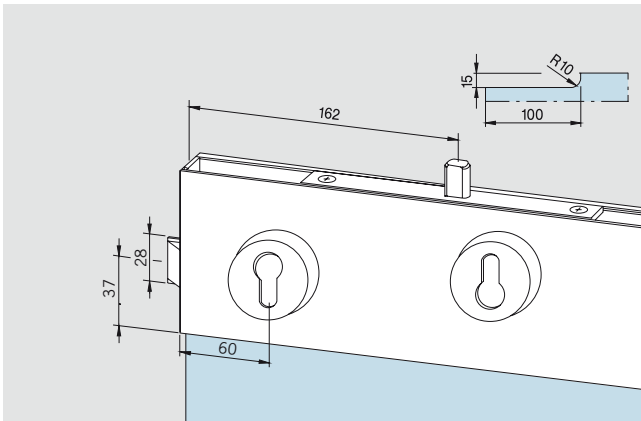


...with side locking lock, prepared for Europrofile cylinder, double throw 100 mm:

Art. No. *04.172 / 04.174

Weight in kg/m:
aluminium 5.522
stainless steel 7.107

* Left / right hand (illustration shows right hand) are determined by view from hanging side.

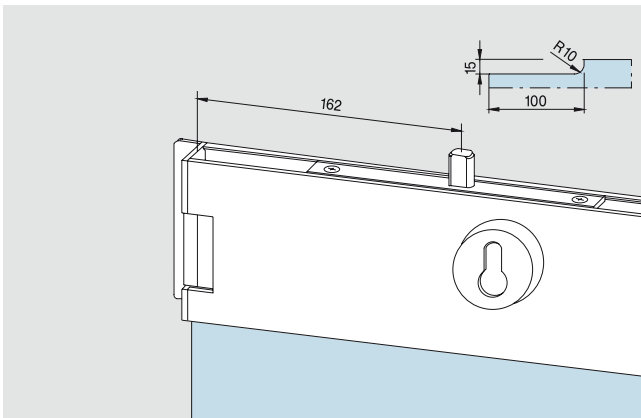


Top rail

with top locking lock, prepared for Europrofile cylinder, single throw with corrosion resistant bolt and hardened safety roll pin and latch bolt at side for electric strike release 100 mm:

Art. No. **04.180 / 04.182

Weight in kg/m:
 aluminium 6.820
 stainless steel 8.530



...with top locking lock, prepared for Europrofile cylinder, single throw with corrosion resistant bolt and hardened safety roll pin and electric strike release (Standard: fail secure function, 6 to 12 V -/~) 100 mm:

Art. No. *04.184 / 04.186
 (for Art. No. 04.182 / 04.180)

Weight in kg/m:
 aluminium 5.767
 stainless steel 7.352

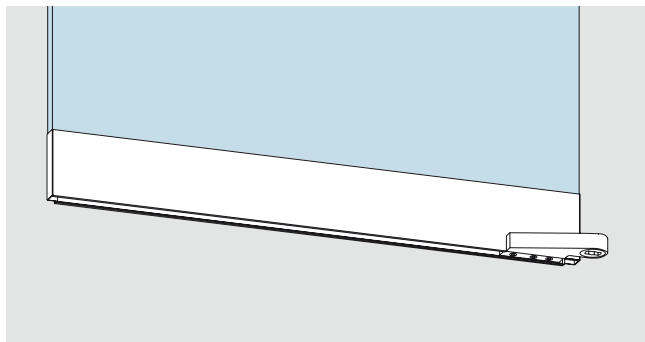
* Left / right hand (illustration shows right hand) are determined by view from hanging side.

** Left / right hand (illustration shows left hand) are determined by view from hanging side.

DOOR RAILS FOR OFFSET HUNG DOORS IN REBATED FRAMES

With 24 mm rebate depth

Complete, for 10 mm glass thickness, strap 40 mm, with free glass edge left and right, pivot point to glass surface 50 mm



Bottom rail

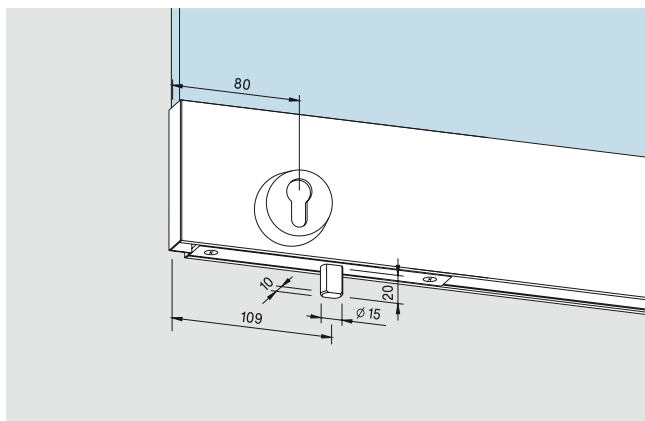
100 mm:

76.5 mm:

Art. No. *04.135 / 04.137

Art. No. *04.035 / 04.037

Weight in	100	76.5
kg/m	mm	mm
aluminium	5.251	4.181
stainl. steel	6.602	5.407



...with floor locking lock, prepared for Europrofile cylinder, single throw with corrosion resistant bolt and hardened safety roll pin

100 mm:

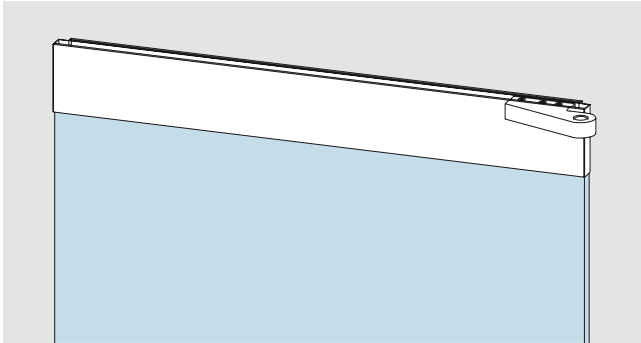
76.5 mm:

Art. No. *04.155 / 04.157

Art. No. *04.055 / 04.057

Weight in	100	76.5
kg/m	mm	mm
aluminium	5.586	4.516
stainl. steel	7.052	5.857

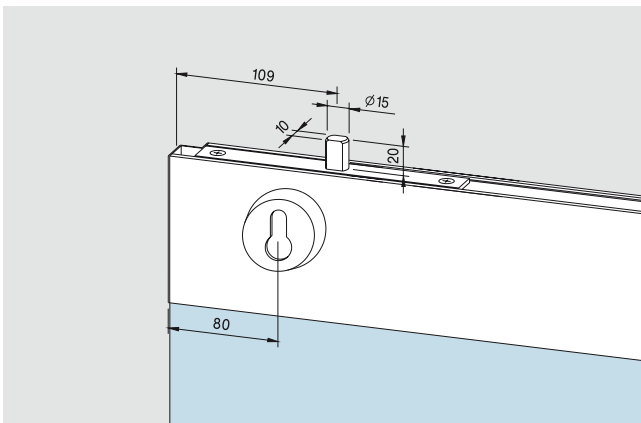
* Left / right hand (illustration shows right hand) are determined by view from hanging side.



Top rail
 100 mm:
 76.5 mm:

Art. No. *04.136 / 04.138
Art. No. *04.036 / 04.038

Weight in kg/m	100 mm	76.5 mm
aluminium	5.181	4.111
stainl. steel	6.569	5.374



...with top locking lock,
 prepared for Europrofile cylinder,
 single throw with corrosion
 resistant bolt and hardened
 safety roll pin
 100 mm:
 76.5 mm:

Art. No. *04.156 / 04.158
Art. No. *04.056 / 04.058

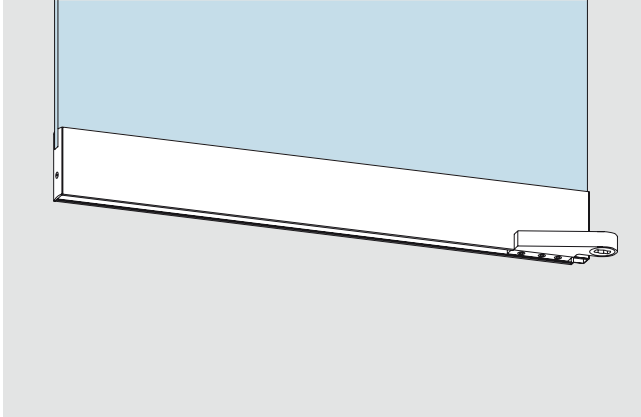
Weight in kg/m	100 mm	76.5 mm
aluminium	5.516	4.446
stainl. steel	7.019	5.824

* Left / right hand (illustration shows right hand) are determined by view from hanging side.

DOOR RAILS FOR OFFSET HUNG DOORS IN REBATED FRAMES

With 24 mm rebate depth

Complete, for 10 mm glass thickness, strap 40 mm, with 15 mm free glass edge of hanging stile, pivot point to glass surface 50 mm



Bottom rail

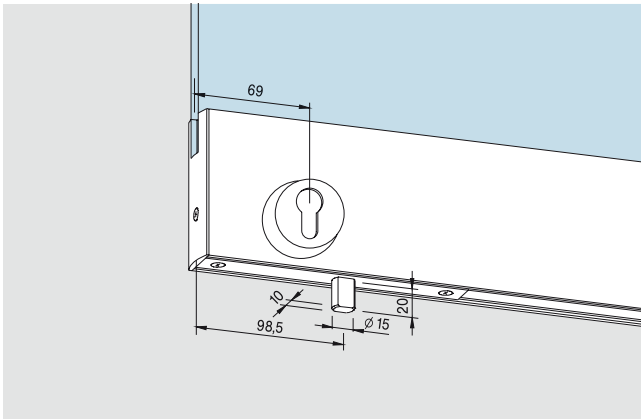
100 mm:

76.5 mm:

Art. No. *04.139 / 04.141

Art. No. *04.039 / 04.041

Weight in kg/m	100 mm	76.5 mm
aluminium	5.305	4.219
stainl. steel	6.507	5.482



...with floor locking lock, prepared for Europrofile cylinder, single throw with corrosion resistant bolt and hardened safety roll pin

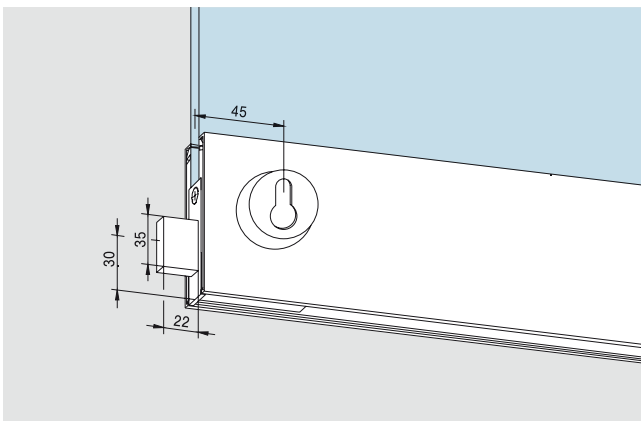
100 mm:

76.5 mm:

Art. No. *04.159 / 04.161

Art. No. *04.059 / 04.061

Weight in kg/m	100 mm	76.5 mm
aluminium	5.640	4.554
stainl. steel	6.957	5.932



...with side locking lock, prepared for Europrofile cylinder, double throw

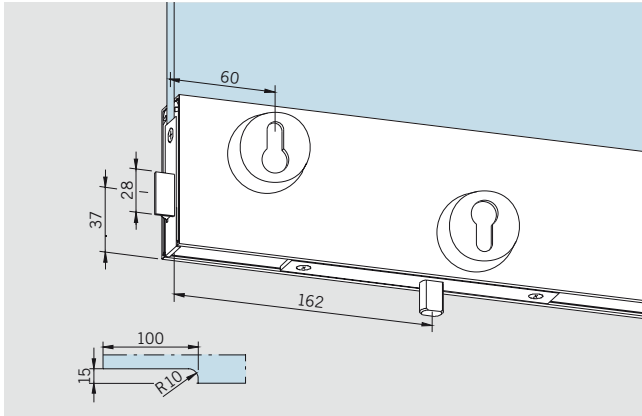
100 mm:

Art. No. *04.175 / 04.177

Weight in kg/m:

aluminium	5.538
stainless steel	6.855

* Left / right hand (illustration shows right hand) are determined by view from hanging side.

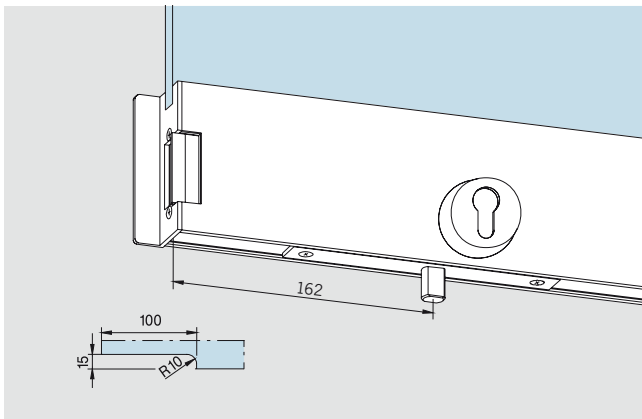


Bottom rail

with floor locking bolt lock,
prepared for Europrofile cylinder,
single throw with corrosion
resistant bolt and hardened
safety roll pin and latch lock
at side for electric strike release
100mm:

Art. No. *04.143 / 04.145

Weight in kg/m:
aluminium 5.803
stainless steel 7.306

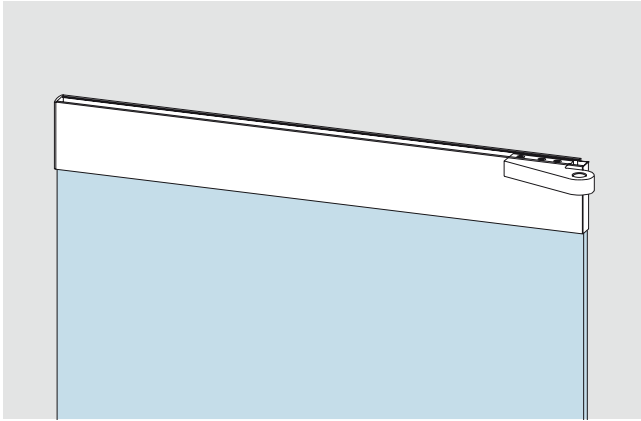


...with floor locking bolt lock,
prepared for Europrofile cylinder,
single throw with corrosion
resistant bolt and hardened
safety roll pin and electric strike
release at side (Standard: fail
secure function, 6 to 12 V -/~)
100 mm:

Art. No. *04.147 / 04.149

Weight in kg/m:
aluminium 5.653
stainless steel 7.150

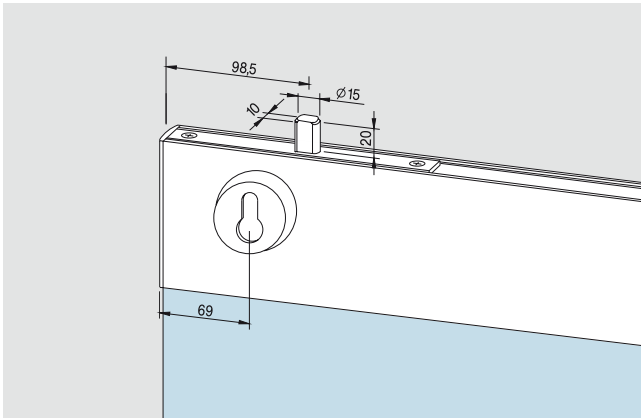
* Left / right hand (illustration shows right hand) are determined by view from hanging side.



Top rail
100 mm:
76.5 mm:

Art. No. *04.140 / 04.142
Art. No. *04.040 / 04.042

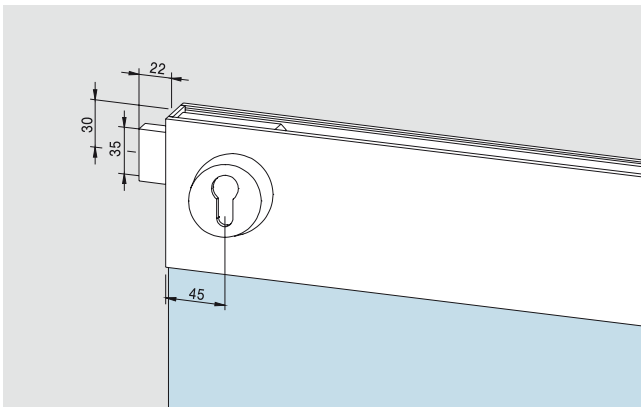
Weight in	100	76.5
kg/m	mm	mm
aluminium	5.235	4.149
stainl. steel	6.474	5.449



...with top locking lock,
prepared for Europrofile cylinder,
single throw with corrosion
resistant bolt and hardened
safety roll pin
100 mm:
76.5 mm:

Art. No. *04.160 / 04.162
Art. No. *04.060 / 04.062

Weight in	100	76.5
kg/m	mm	mm
aluminium	5.570	4.484
stainl. steel	6.924	5.899

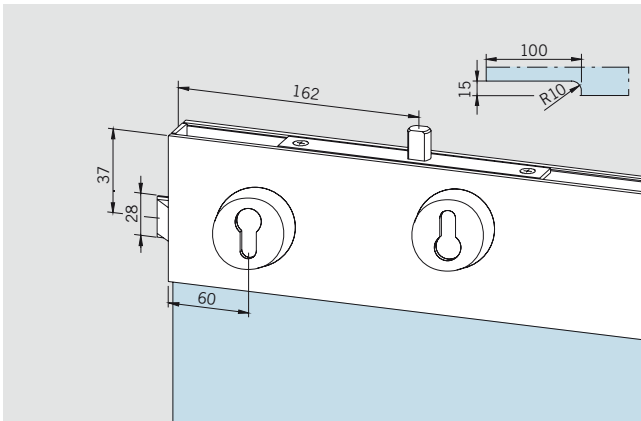


...with side locking lock,
prepared for Europrofile cylinder,
double throw
100 mm:

Art. No. *04.176 / 04.178

Weight in kg/m:		
aluminium		5.468
stainless steel		6.822

* Left / right hand (illustration shows right hand) are determined by view from hanging side.

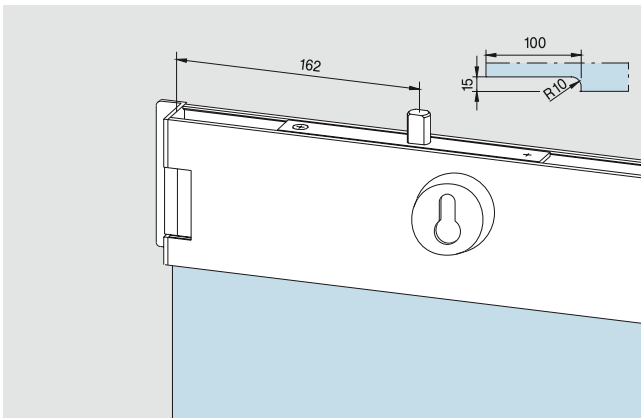


Top rail

with top locking lock, prepared for Europrofile cylinder, single throw with corrosion resistant bolt and hardened safety roll pin and latch bolt at side for electric strike release 100 mm:

Art. No. *04.144 / 04.146

Weight in kg/m:
 aluminium 5.733
 stainless steel 7.236



...with top locking bolt lock, prepared for Europrofile cylinder, single throw with corrosion resistant bolt and hardened safety roll pin and electric strike release at side (Standard: fail secure function, 6 to 12 V -/~) 100 mm:

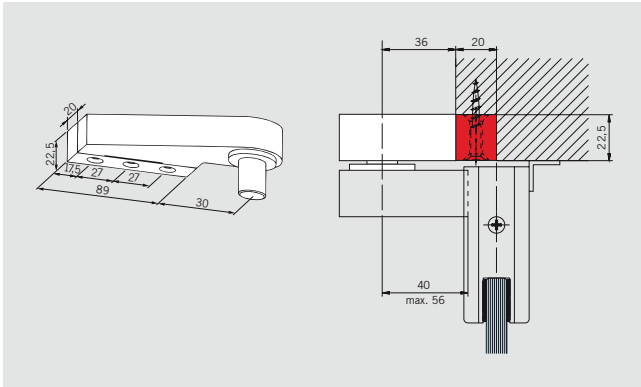
Art. No. **04.148 / 04.150
 (for Art. No. 04.182 / 04.180)

Weight in kg/m:
 aluminium 5.583
 stainless steel 7.080

* Left / right hand (illustration shows left hand) are determined by view from hanging side.
 ** Left / right hand (illustration shows right hand) are determined by view from hanging side.

TOP CENTRE FRAME PORTION

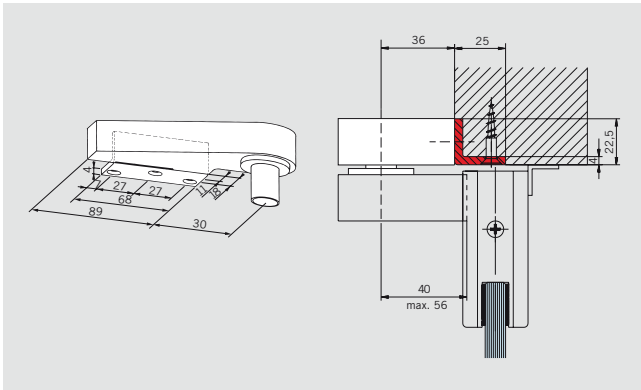
with patch fittings see Technical Information EA



Frame top centre
with fixing block

Art. No. 02.150

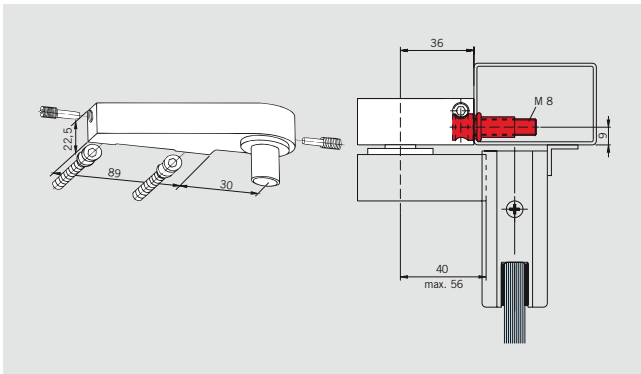
Weight in kg:
aluminium 0.471



Frame top centre
with angle bracket

Art. No. 02.151

Weight in kg:
aluminium 0.453

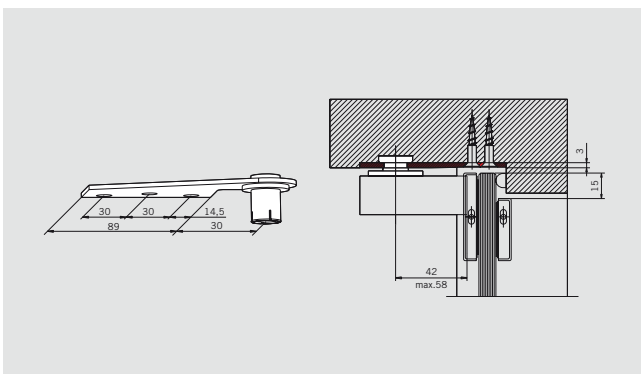


Frame top centre
with special wedge screw fixings

Art. No. *02.152 / 02.153

Weight in kg:
aluminium 0.390

Drill jig:
Art. No. 8.02.081.001.50



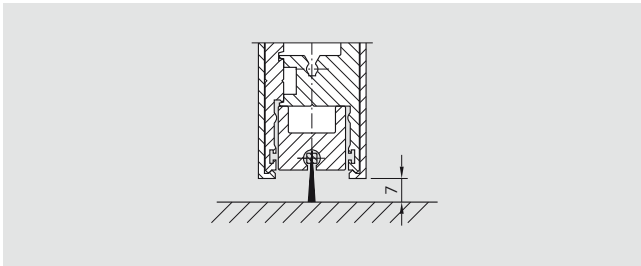
Frame top centre
AT 212 GSR with fixing plate

Art. No. *02.340 / 02.341

Weight in kg:
stainless steel 0.215

* Left / right hand (illustration shows right hand) are determined by view from hanging side.

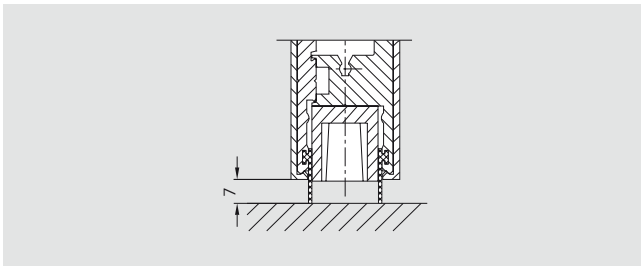
SPECIAL ACCESSORIES AND SPECIAL INSERTS FOR DOOR RAILS



Aluminium profile with brush seal to prevent draughts and energy loss (not in the area of inserts, locks, etc.), connected with door rail at manufacturer

Art. No. 04.600

Weight in kg/m: 0.753

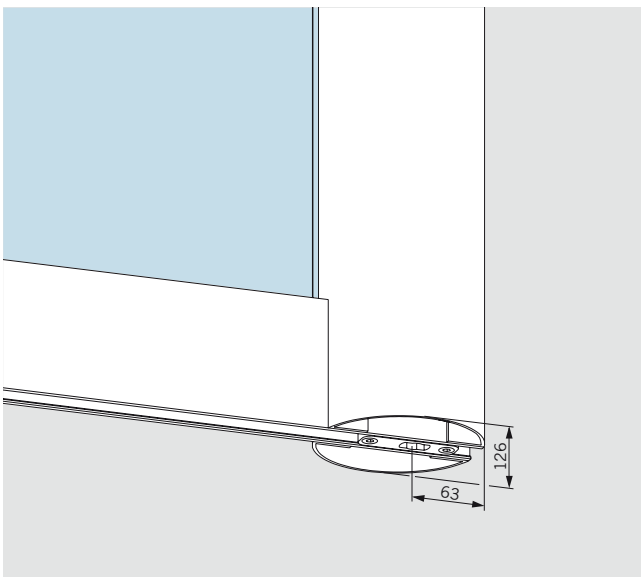


Rubber sealing for door rails (also in the area of inserts, locks, etc.)
fixed length
stock length 200 m (= 1 coil)

Art. No. 04.607

Art. No. 04.608

Weight in kg/m: 0.099



Aluminium round profile for pinch free doors with 65 mm pivot point, consisting of 2 halves, prepared for Universal fittings or door rails (76.5 mm or 100 mm).
Please indicate:

- Panel height (max. 2500 mm, higher dim. on request)
- Required preparation of the profile for top and bottom fittings

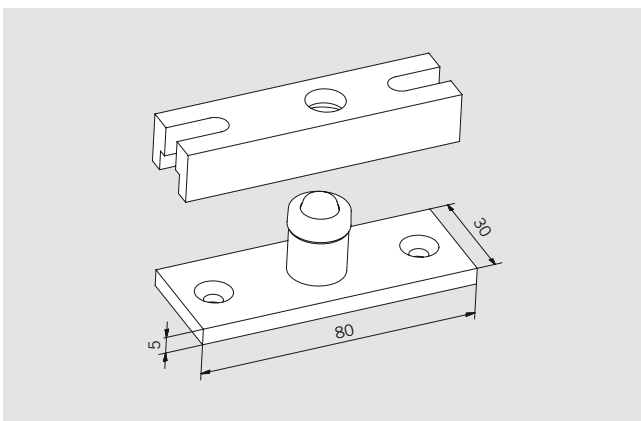
fixed length
stock length 6000 mm (not prepared)
stock length 3000 mm (not prepared)

Art. No. 03.380

Art. No. 03.381

Art. No. 03.382

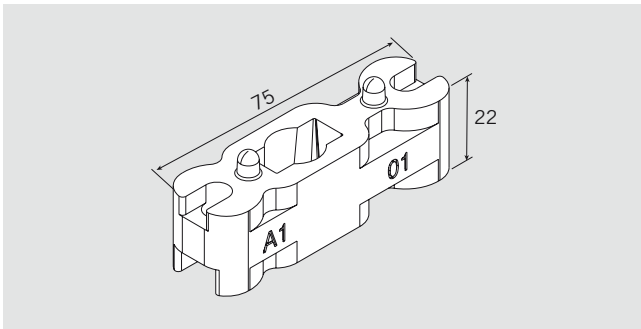
Weight in kg/m:
aluminium 4.744



Screw-on floor bearing for damp environment, without floor recess, with inserts for door rails, max. 80 kg

Art. No. 01.136

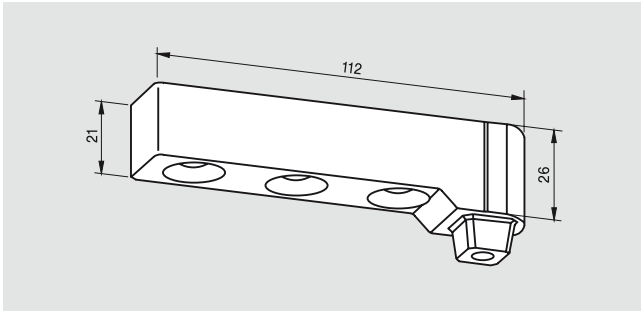
Weight in kg: 0.193



Bottom insert for DORMA floor spring spindle profile or round pivot 14 mm Ø, (DORMA floor spring BTS or floor bearing Art. No. 01.106 and 01.107), stainless steel, 55/65 mm pivot point, max. door weight 80 kg

Art. No. 04.604

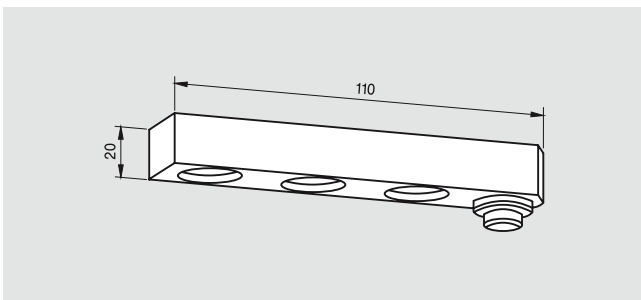
Weight in kg: 0.243



Bottom strap, steel, zinc plated, with spindle insert to suit DORMA floor springs, 18 mm pivot point, max. door weight 80 kg

Art. No. 804.167.001.55

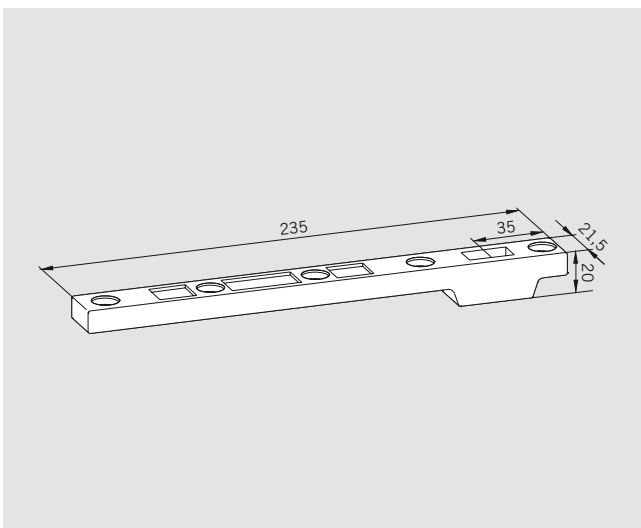
Weight in kg: 0.349



Bottom strap, aluminium, to suit floor bearings 01.106 and 01.107, 18 mm pivot point, max. door weight 80 kg

Art. No. 804.060.002.50

Weight in kg: 0.129



Bottom strap in forged steel special edition, mounted in door rails, to suit DORMA floor spring spindles. (Also suitable for floor bearing 04.602, 04.603. Not suitable for floor bearing with round pivot.)

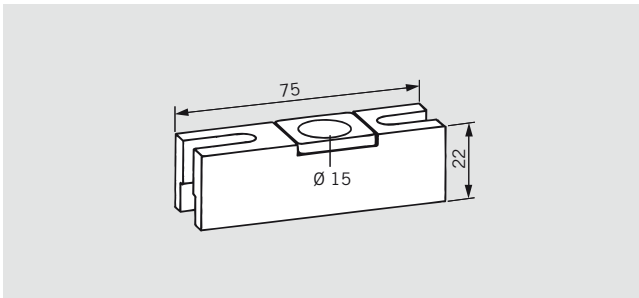
Art. No. 04.605

Weight in kg: 0.385

For centre hung doors

- normal frequented doors, max. door weight 150 kg, max. door width 1400 mm
- high frequented doors, max. door weight 120 kg, max. door width 1200 mm

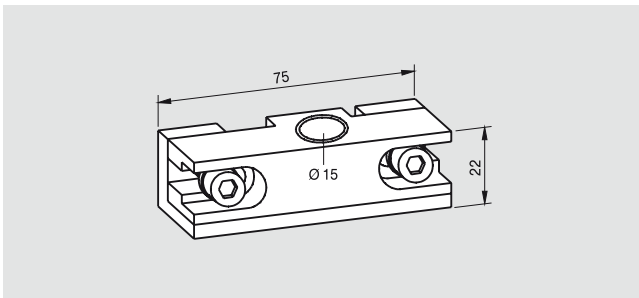
Pivot point either 55 or 65 mm (please specify with order).



Top insert
55/65 mm pivot point,
aluminium

Art. No. 04.610

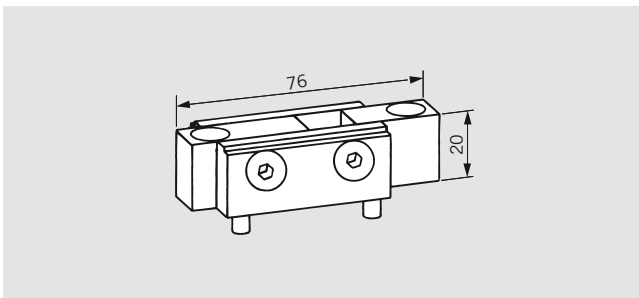
Weight in kg: 0.091



Top insert, two part,
aluminium, special,
55/65 mm pivot point
(not in standard door rail)

Art. No. 04.606

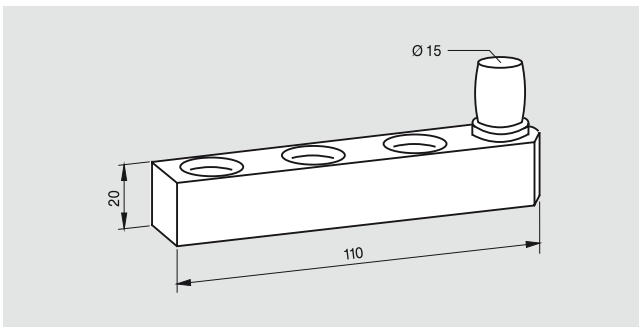
Weight in kg: 0.088



Top insert
for DORMA RTS transom closer,
zinc plated steel, 65 mm pivot
point

Art. No. 04.611

Weight in kg: 0.240



Top strap
aluminium, 18 mm pivot point

Art. No. 804.060.001.50

Weight in kg: 0.131